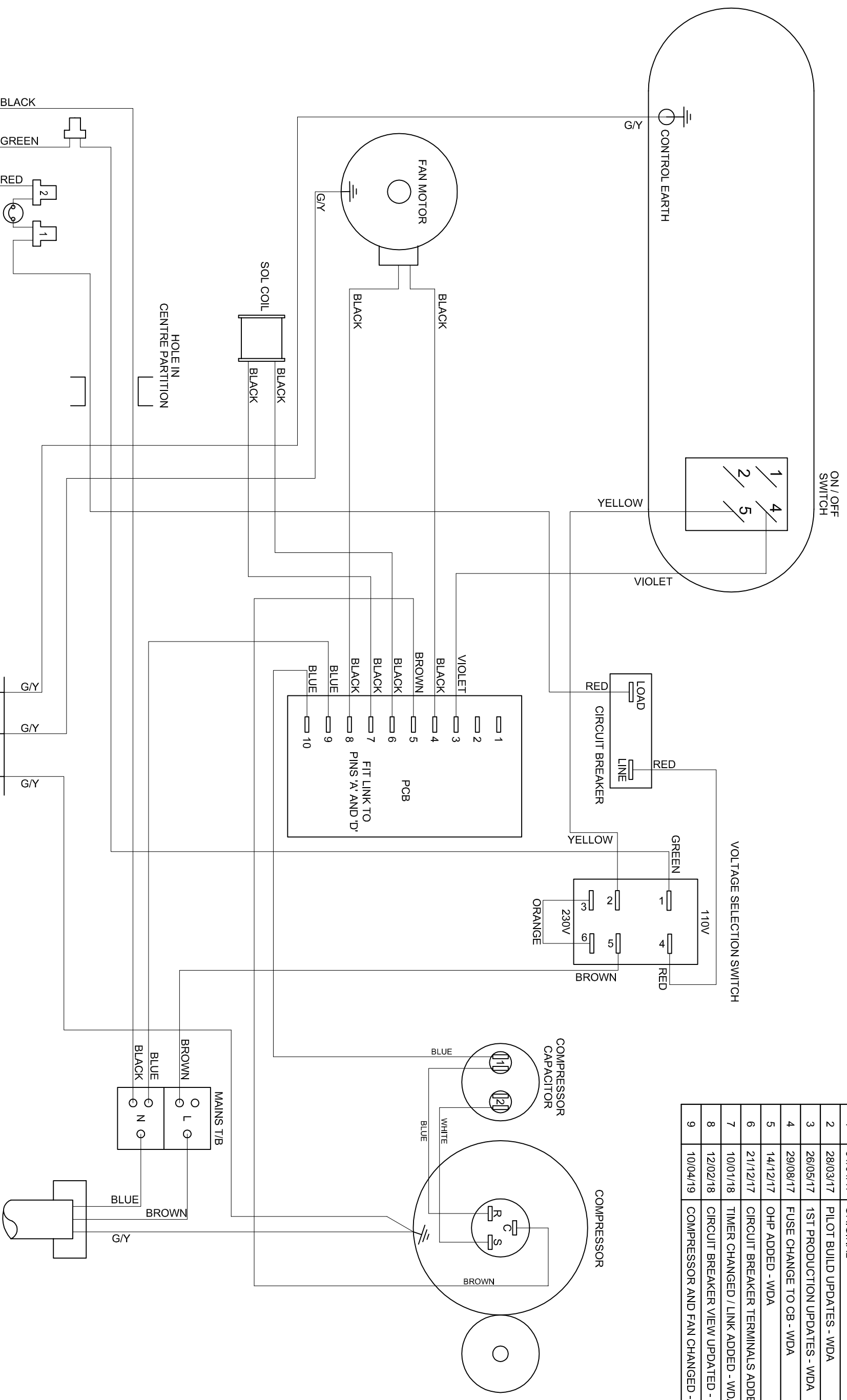


ISSUE	DATE	AMENDMENTS
1	31/01/17	ORIGINAL
2	28/03/17	PILOT BUILD UPDATES - WDA
3	26/05/17	1ST PRODUCTION UPDATES - WDA
4	29/08/17	FUSE CHANGE TO CB - WDA
5	14/12/17	OHP ADDED - WDA
6	21/12/17	CIRCUIT BREAKER TERMINALS ADDED - WDA
7	10/01/18	TIMER CHANGED / LINK ADDED - WDA
8	12/02/18	CIRCUIT BREAKER VIEW UPDATED - WDA
9	10/04/19	COMPRESSOR AND FAN CHANGED - WDA



<p>3RD ANGLE PROJECTION DO NOT SCALE IF IN DOUBT ASK</p>		<p>BISHOP AUCKLAND Co. DURHAM ENGLAND</p>		<p>TITLE</p> <p><b>BD75 DV - 110V/230V - DIAGRAM</b></p>	
<p>DIMENSIONS IN m.m. TOLERANCES UNLESS OTHERWISE STATED</p> <p>0.0 ± 0.25 0.00 ± 0.05 ANGULAR ± 0.5 DEGREE</p>		<p>MATERIAL</p> <p>SEE DRW</p>		<p>DRAWN : W DAGLISH</p>	
<p>FINISH</p> <p>SEE DRW</p>		<p>DRG.NO.</p> <p><b>5010424</b></p>		<p>SHEET</p> <p>1 OF 1</p>	

<p>TRANSFORMER</p> <p>0V 110V 230V</p> <p>BLACK GREEN RED</p> <p>2 1</p>		<p>HOLE IN CENTRE PARTITION</p> <p>SOL COIL</p> <p>BLACK BLACK</p>		<p>FAN MOTOR</p> <p>GY</p>	
<p>ON/OFF SWITCH</p> <p>1 2 4 5</p> <p>YELLOW VIOLET</p>		<p>CIRCUIT BREAKER</p> <p>LOAD LINE</p> <p>RED</p>		<p>VOLTAGE SELECTION SWITCH</p> <p>110V 230V</p> <p>GREEN RED BROWN</p> <p>1 2 3 4 5 6</p>	
<p>PCB</p> <p>1 2 3 4 5 6 7 8 9 10</p> <p>BLACK BROWN VIOLET BLACK BROWN BLACK BLACK BLACK BLUE BLUE</p> <p>FIT LINK TO PINS 'A' AND 'D'</p>		<p>COMPRESSOR CAPACITOR</p> <p>1 2</p> <p>BLUE WHITE</p>		<p>COMPRESSOR</p> <p>R C S</p> <p>BROWN</p>	
<p>CENTRE PARTITION EARTHS</p> <p>GY GY GY</p>		<p>MAINS T/B</p> <p>L N</p> <p>BROWN BLUE BLACK</p>		<p>CONTROL EARTH</p> <p>GY</p>	