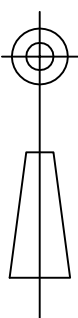
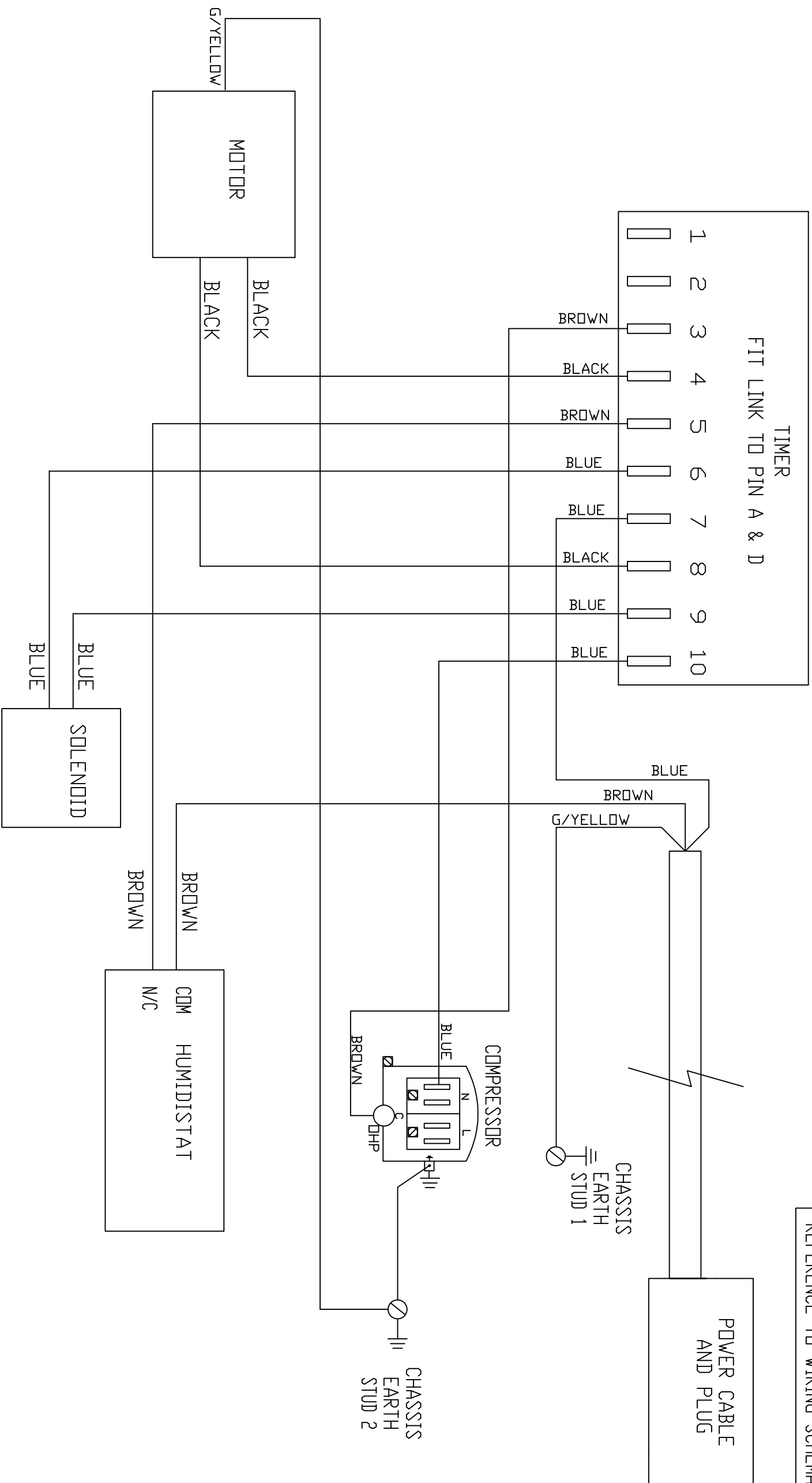


3RD ANGLE PROJECTION



DESCRIPTION	PART No.
REFERENCE TO GENERAL ASSEMBLY	1013700
REFERENCE TO GENERAL ASSEMBLY	1138100
REFERENCE TO GENERAL ASSEMBLY	1138600
REFERENCE TO WIRING SCHEMATIC	5020153



DRAWN BY: MASON	ISS. 8	9	10	11	12	13	14	15	16
CHECKED	DATE 18.9.89	21.9.89	24.08.93	18.10.93	07/04/05	20/01/12	15/01/18	23/04/18	29/10/18
APPROVED	C/N	GE	6223	6514	DD	JGL	WDA	WDA	WDA
SCALE	MATERIAL FINISH								
INSPECTION PROCEDURE	TOLERANCE UNLESS STATED								
									DIMENSIONS IN m.m.

 <b>Ekac Limited</b>		SECURITY CLASSIFICATION
TITLE		DRG. NO.
WIRING DIAGRAM FOR CD30		5010116